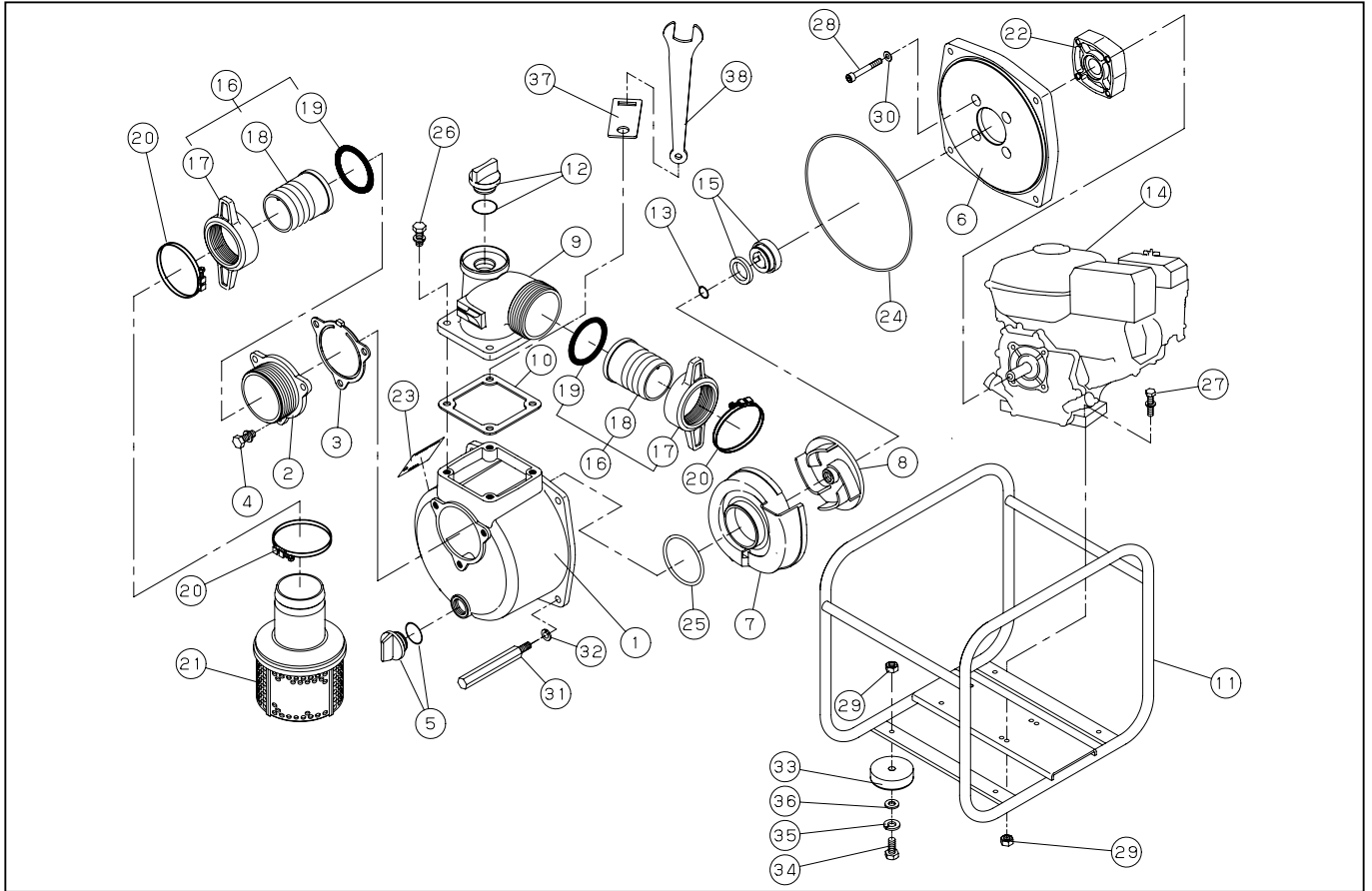


SEH-80T

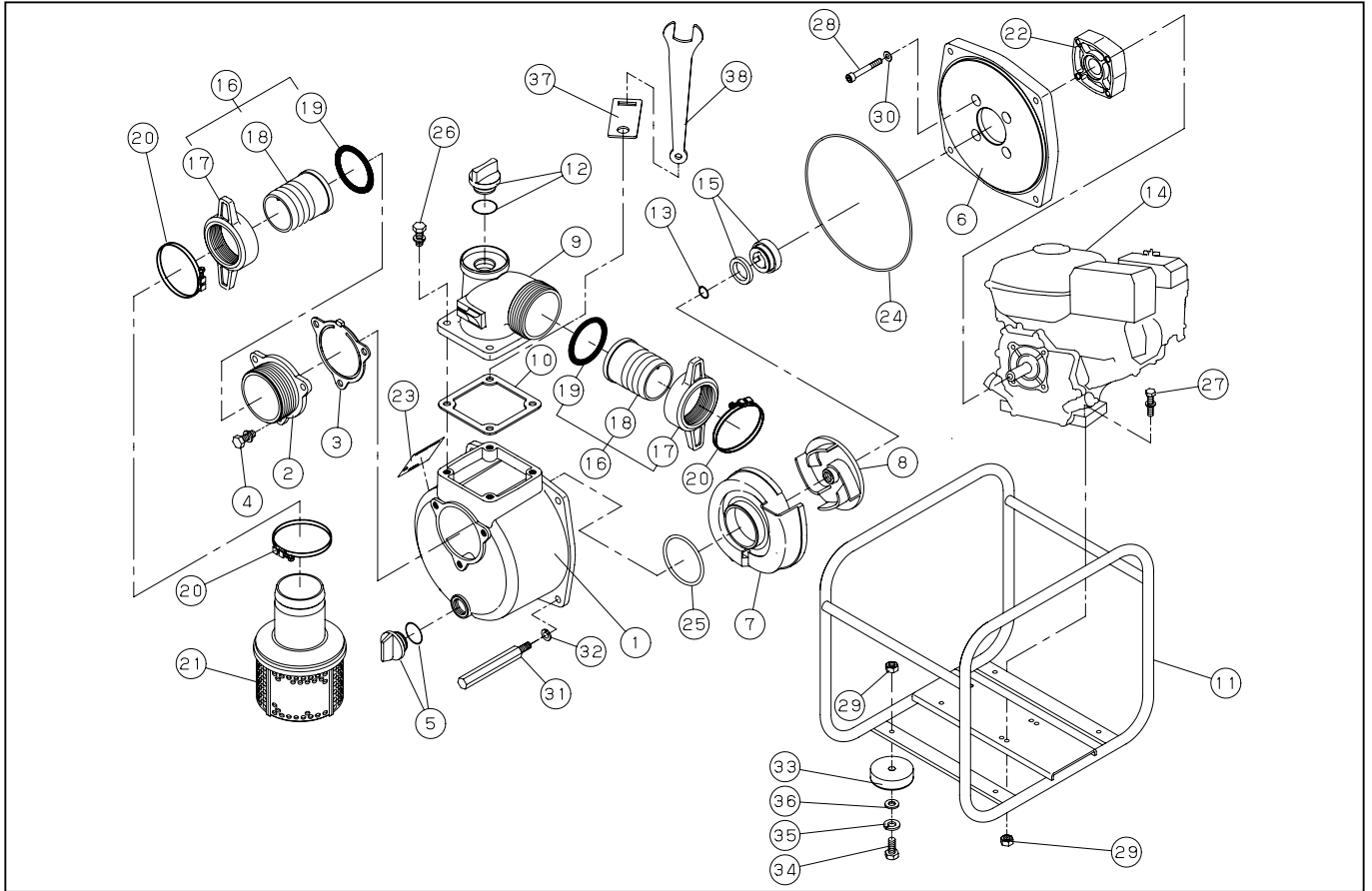


DWG No.012862305 MODEL:SEH-80T FORM:SEH-80X-BCT-0

No.	PARTS CODE	PARTS NAME	QTY	MATERIAL	SIZE	REMARKS
1	012019601	PUMP CASING	1	ADC		
2	011279701	SUCTION FLANGE	1	ADC		
3	011279901	CHECK VALVE	1	NBR		
4	743119061	HEXAGON BOLT	3	SWRM	M10X25	
5	011807802	20A PLUG SET	1			
6	011526902	FLANGE BRACKET	1	ADC		
7	011554101	VOLUTE CASING	1	FCD		
8	011553901	IMPELLER	1	FCD		
9	011057003	DELIVERY FLANGE	1	ADC		
10	011058402	DELIVERY FLANGE PACKING	1	CR		
11	011743401	BASE SET	1			
12	011807901	25A PLUG SET	1			
13	011049102	IMPELLER ADJUSTING WASHER	3	BSP		
14	011429302	ENGINE	1	HONDA GX160U1WMBOR8		
15	011515902	MECHANICAL SEAL	1	SIC		
16	011702802	COUPLING SET	2	ABS		
17	011437502	COUPLING	2	ABS		
18	011030105	HOSE NIPPLE	2	ABS		
19	011437801	COUPLING PACKING	2	NBR		
20	940019090	HOSE BAND	3		φ 90	
21	011324201	STRAINER	1	SPC		
22	011554001	SPACER	1	ADC		
23	011600001	NAME PLATE	1			
24	011501501	O-RING	1	NBR	1517-46.5	
25	011398901	O-RING	1	NBR	P74	
26	743119063	HEXAGON BOLT	4	SWRM	M10X30	
27	743119053	HEXAGON BOLT	4	SWRM	M8X40	
28	734532076	HEXAGON SOCKET BOLT	4	SCM	M8X60	
29	827419008	HEXAGON NUT	8	SWRM	M8	
30	854255008	SEAL WASHER	4		φ 8	

◆ Bare engine can not be supplied

SEH-80T



DWG No.012862305 MODEL:SEH-80T FORM:SEH-80X-BCT-0

No.	PARTS CODE	PARTS NAME	QTY	MATERIAL	SIZE	REMARKS
31	011554201	LONG BOLT	4		M10X160	
32	843822010	SPRING WASHER	4		φ 10	
33	011051502	50L CUSHION RUBBER	4	F-23		
34	735719148	HEXAGON BOLT	4		M8X20	
35	843822008	SPRING WASHER	4		φ 8	
36	846007008	WASHER	4		φ 8	
37	011558801	SPANNER HOLDER	1			
38	011558901	SPANNER	1		17mm	
	011600102	PACKING CASE	1			
	011758303	OPERATION MANUAL(5LANGS)	1			
	011476909	CE OPERATION MANUAL (5LANGS)	1			
	011536702	CE OPERATION MANUAL	1			
	011482009	DECLARATION	1			
	011473401	ENGINE CAUTION LABEL A	1			
	011473501	ENGINE CAUTION LABEL B	1			
	011471302	CAUTION LABEL	1			
	011471806	CE MARK LABEL	1			
	011628301	EU NOISE LABEL(105)	1			

◆ Bare engine can not be supplied